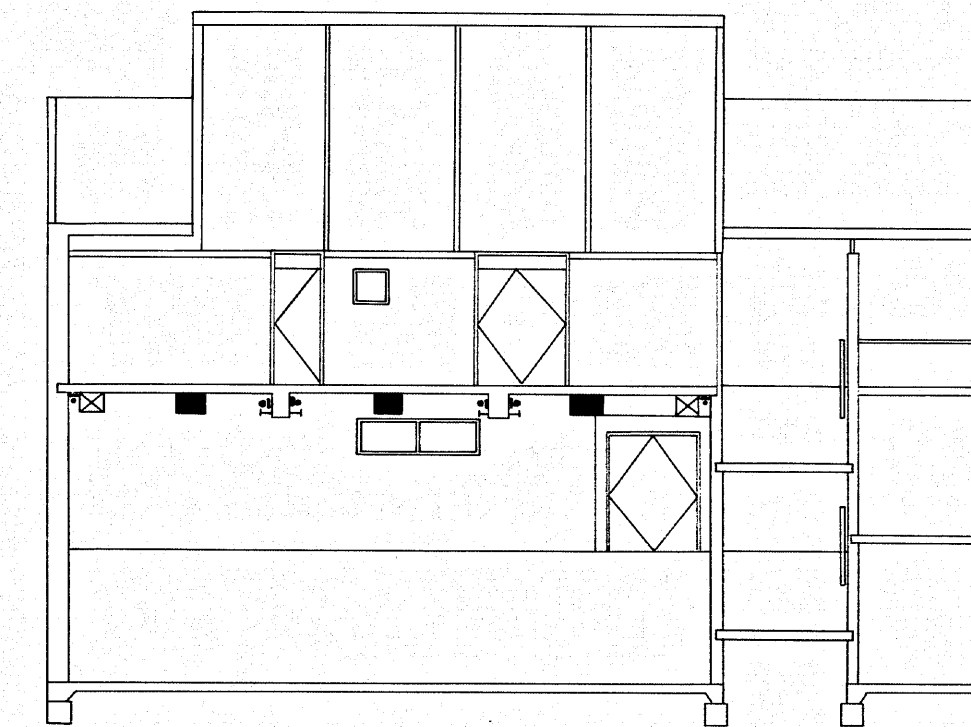
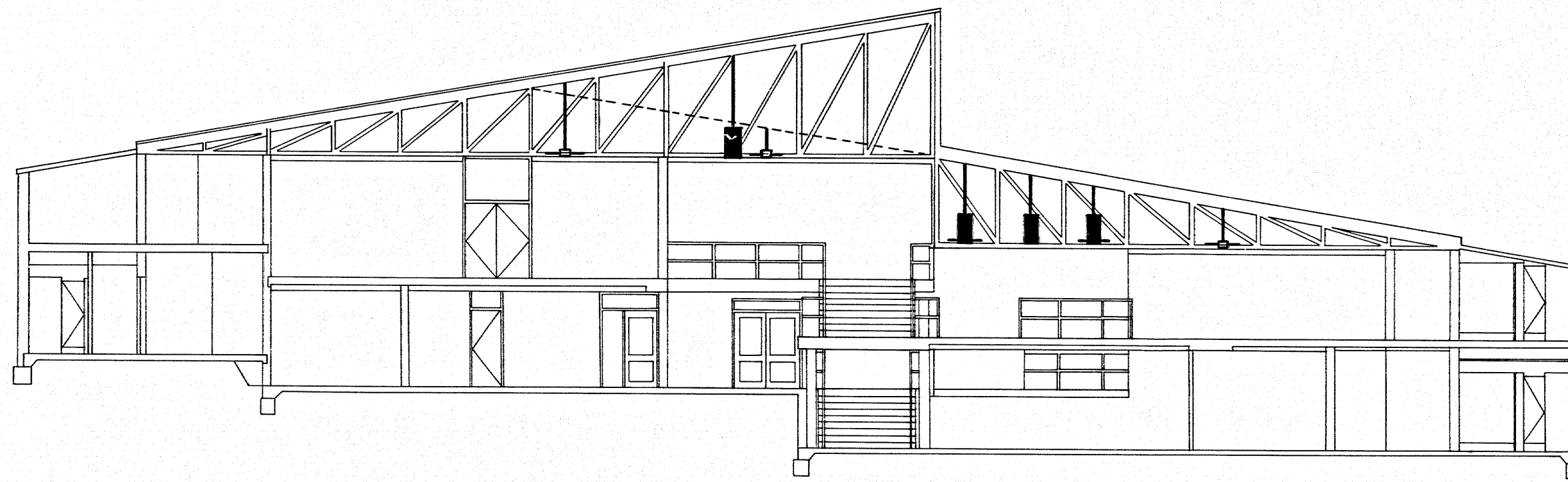


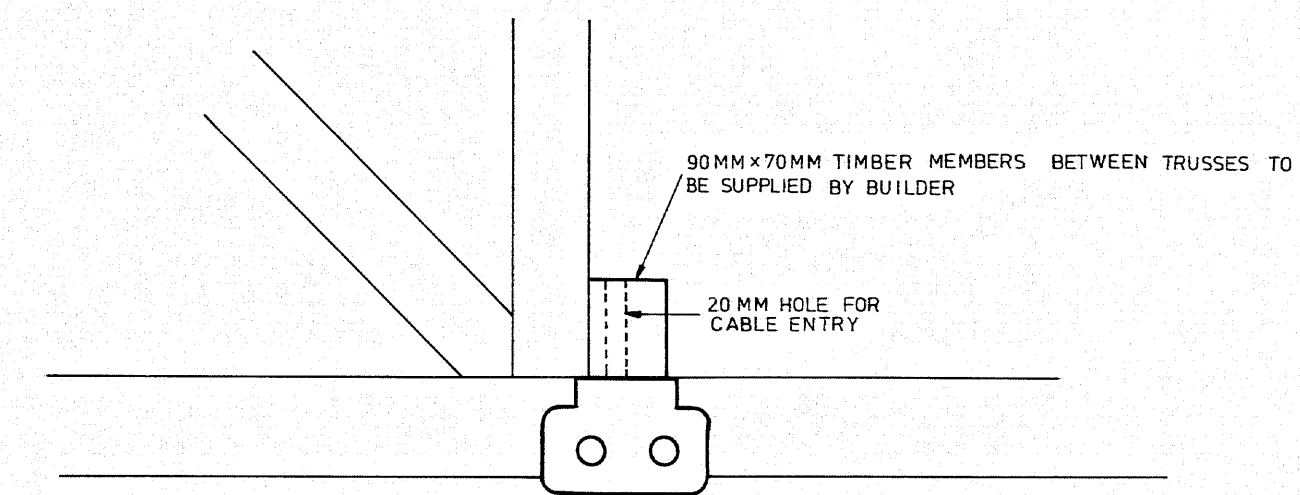
SECTION E1



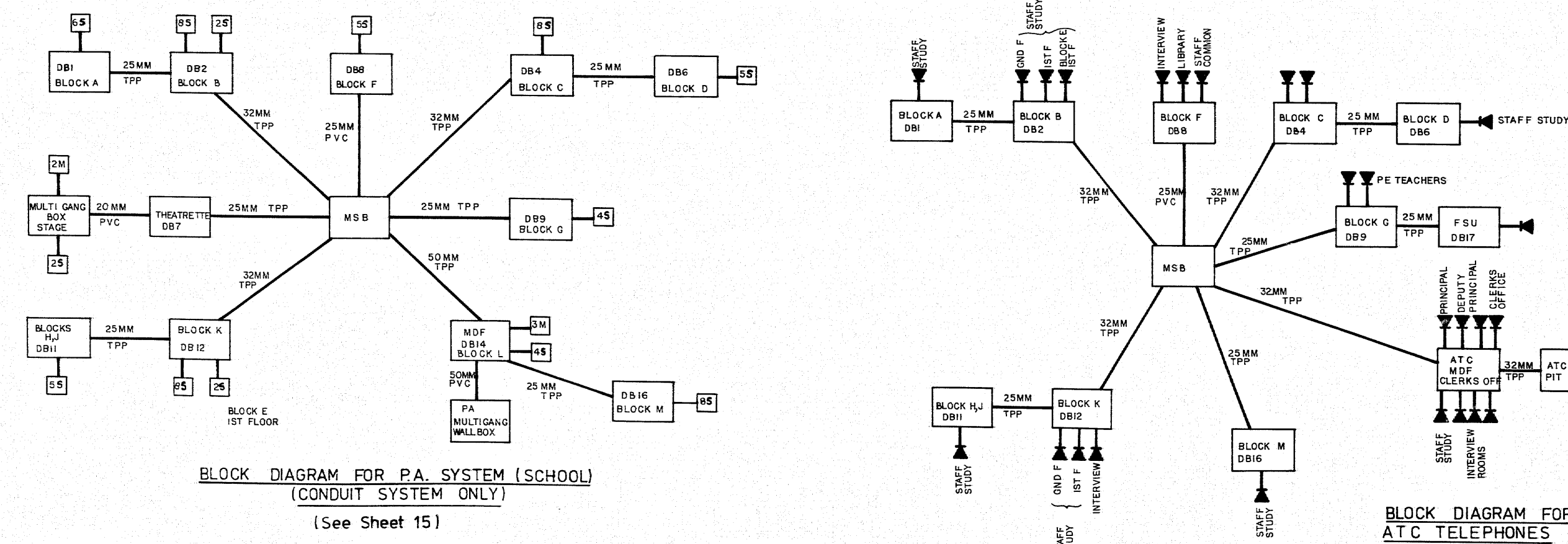
SECTION E2



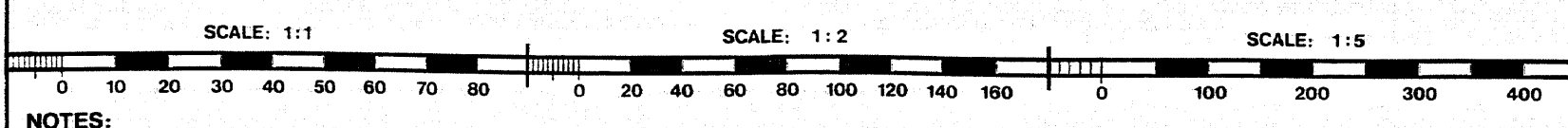
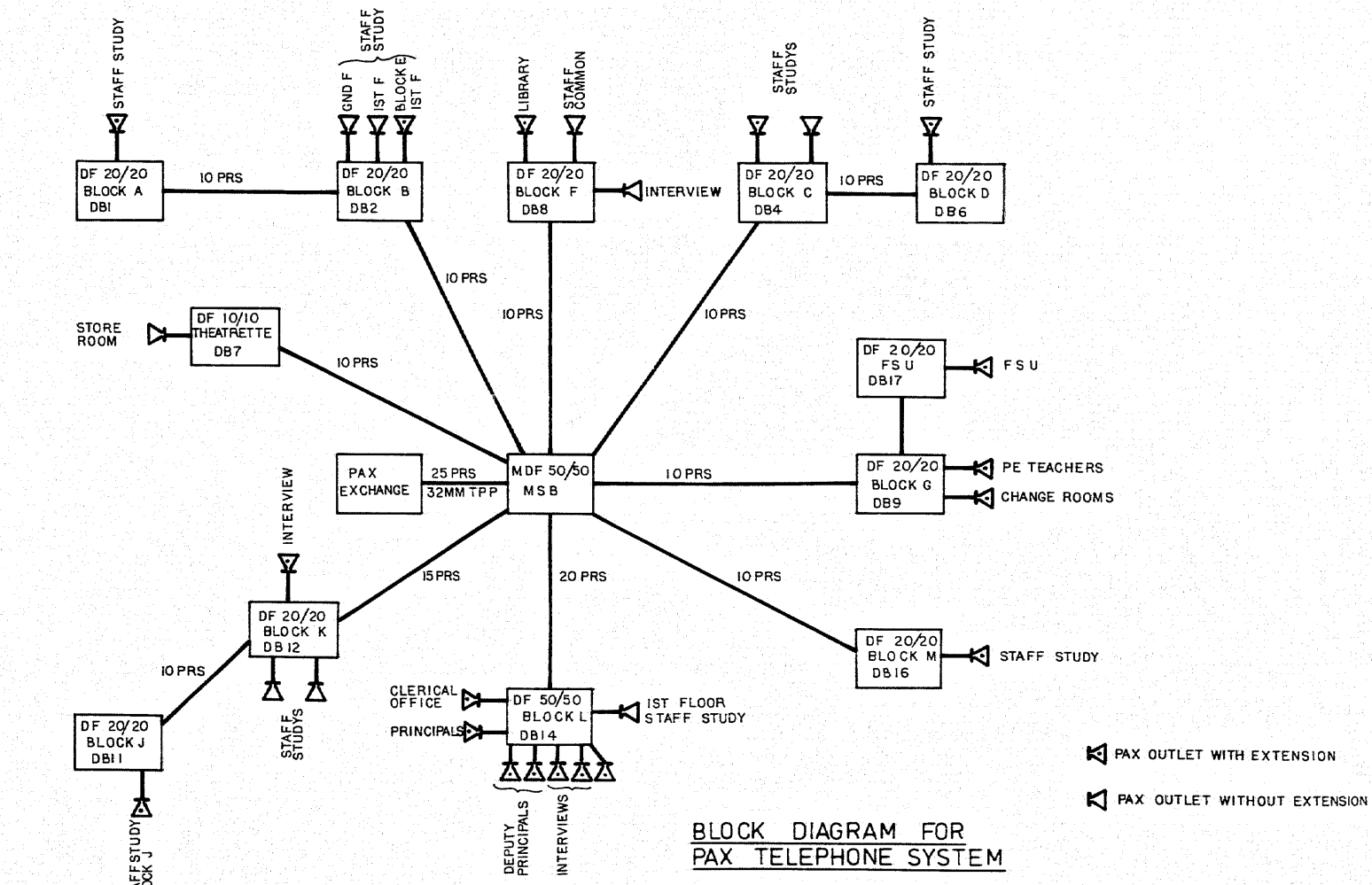
SECTION THROUGH BLOCK F SHOWING CEILING FANS AND MERCURY VAPOUR FITTINGS IN TOP FLOORS. CEILING FANS IN LEVELS 1 AND 2 LIBRARY AND GROUND FLOORS OF BLOCKS B, C, K AND L TO HAVE SHORT RODS SUPPLIED WITH FANS. ALL OTHER CEILING FANS TO BE MOUNTED ON SPECIALLY MADE RODS SUCH THAT THE UNDERSIDE OF BLADES TO BE 50MM ABOVE BOTTOM CHORD OF TRUSS.



TYPICAL MOUNTING DETAIL NARROW TYPE FLUORESCENT FITTINGS IN OPEN TRUSS AREAS.



BLOCK DIAGRAM FOR ATC TELEPHONES



NOTES:

DEPARTMENT OF PUBLIC WORKS N.S.W. W. K. PILZ Director of Public Works		KELSO HIGH SCHOOL NEW SCHOOL		PLAN RM. No. SB2503-13/25
C.R. WEATHERBURN Government Architect		Principal Engineer Schools		NUMBER IN SET 28
W. R. BATES Deputy Chief Engineer Govt. Architect's Branch		SECTIONS AND BLOCK DIAGRAMS		SHEET NUMBER 25
SCALES:				

Roll 559

